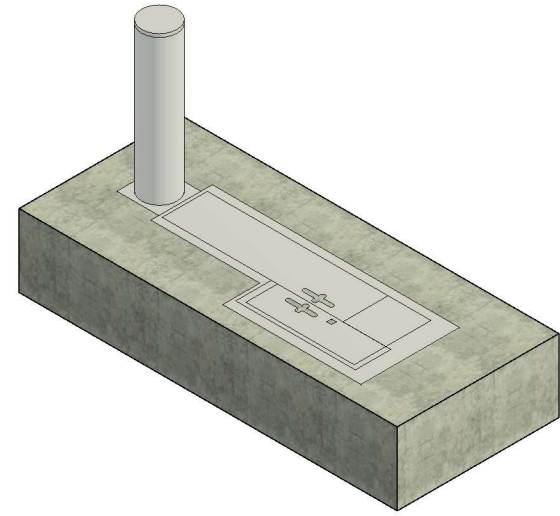
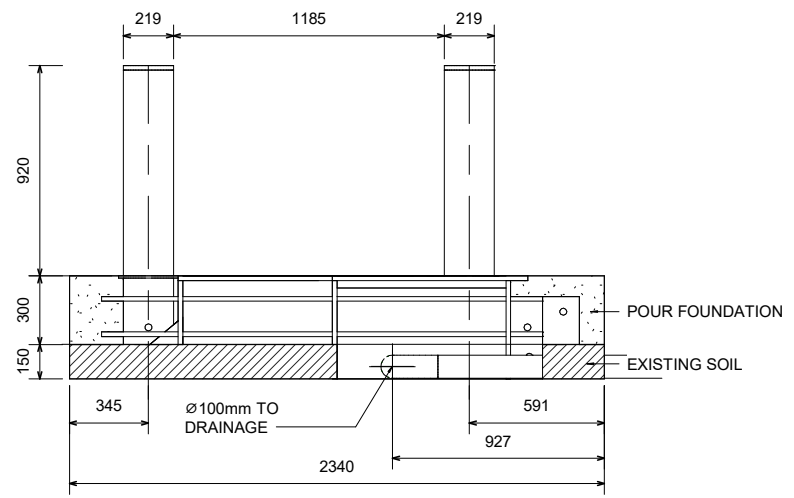
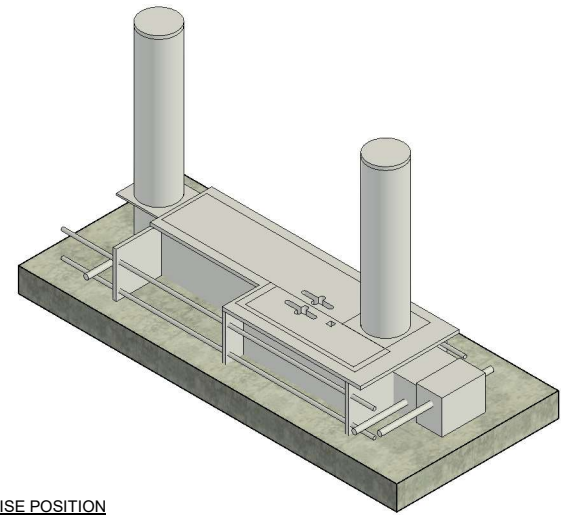
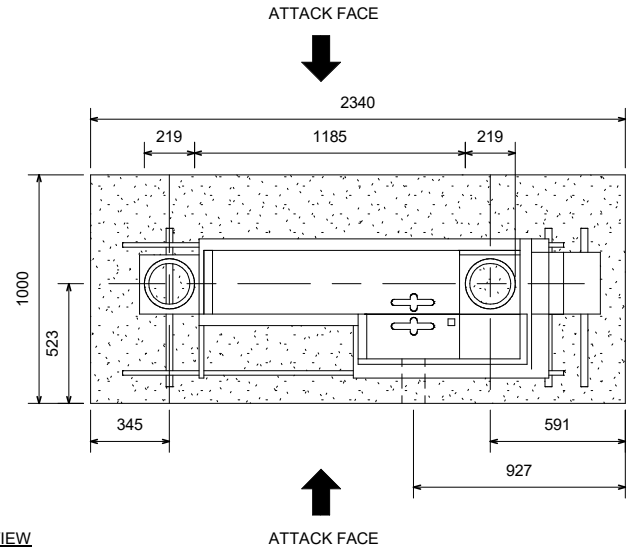


1	2	3	4	5	6	7	8	9	10	IF IN DOUBT ASK			
---	---	---	---	---	---	---	---	---	----	-----------------	--	--	--

ISS	AUTHOR	CHANGE	CHECKED	REVISED	APPROVED	DATE	CHK
I	AS		AA	AA	AA	13.08.2025	



ALL DIMENSIONS ARE IN MILLIMETERS

SCALE	TOLERANCES
	ISO 2768-m,k

THIRD ANGLE PROJECTION

THE INFORMATION CONTAINED IN THIS DRAWING IS CONFIDENTIAL AND MUST NOT BE PASSED IN WHOLE OR IN PART TO THIRD PARTIES WITHOUT THE PERMISSION OF FRONTIER PITTS LTD.



FRONTIER-PITTS MIDDLE EAST  
 OFFICE 1301, BUILDING C88,  
 COMMERCIAL TOWER A,  
 15 BAGHDAD ST, ABU DHABI,  
 UNITED ARAB EMIRATES.  
 OFFICE: +971-26212272

email: sales@frontierpitts.ae  
 website: www.fpgulf.com

CONTRACTOR FOR INFORMATION ONLY

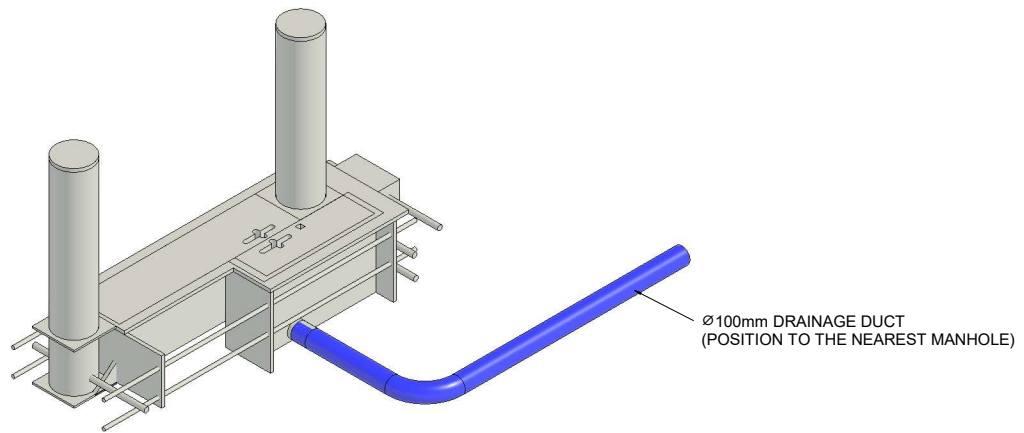
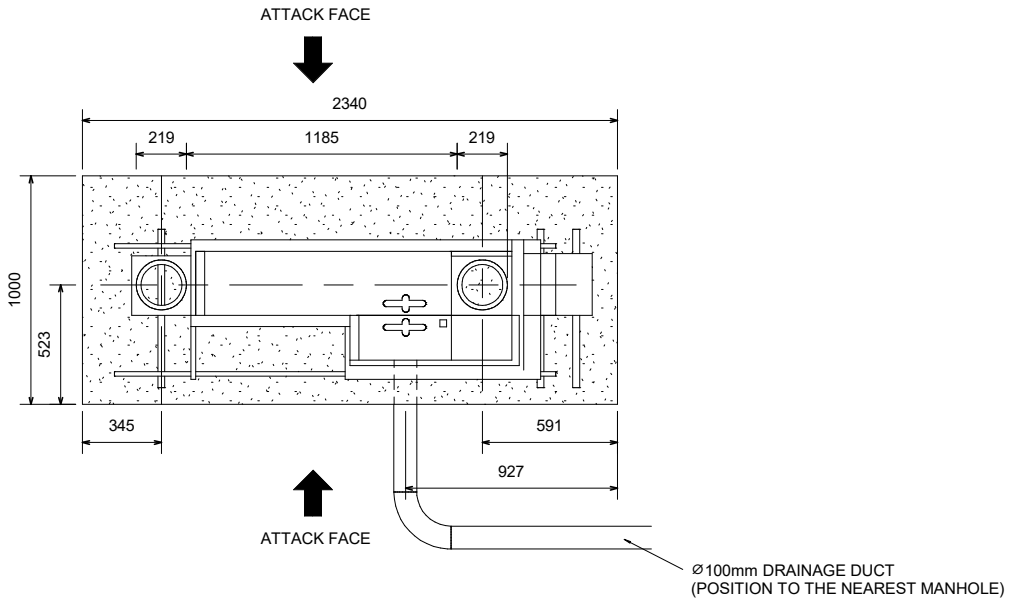
SITE  
 TERRA QUANTUM FOLDING BOLLARD (MANUAL)

DRAWING NUMBER	ISSUE
FPME-SALES-011-V1	1

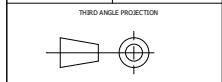
ALL ANGLES ARE PERPENDICULAR UNLESS  
 CONSULT DESIGN OFFICE IF ROADWAY IS NOT LEVEL TO ±10mm

1	2	3	4	5	6	7	8	9	10	IF IN DOUBT ASK			
---	---	---	---	---	---	---	---	---	----	-----------------	--	--	--

ISS	AUTHOR	CHANGE	CHECKED	REVISED	APPROVED	DATE	CHK
1	AS					13.08.2025	



ALL DIMENSIONS ARE IN MILLIMETERS  
SCALE: ISO 2768-m,k



THE INFORMATION CONTAINED IN THIS DRAWING IS CONFIDENTIAL AND MUST NOT BE PASSED IN WHOLE OR IN PART TO THIRD PARTIES WITHOUT THE PERMISSION OF FRONTIER PITTS LTD.

**FRONTIER PITTS MIDDLE EAST**  
 FRONTIER-PITTS MIDDLE EAST  
 OFFICE 1301, BUILDING C88,  
 COMMERCIAL TOWER A,  
 15 BAGHDAD ST, ABU DHABI,  
 UNITED ARAB EMIRATES.  
 OFFICE: +971-26212272  
 email: sales@frontierpitts.ae  
 website: www.fpgulf.com

CONTRACTOR  
FOR INFORMATION ONLY

SITE  
TERRA QUANTUM FOLDING BOLLARD (MANUAL)  
DUCT INSTALLATION

DRAWING NUMBER: FPME-SALES-011A-V1  
ISSUE: 1

ALL ANGLES ARE PERPENDICULAR UNLESS OTHERWISE NOTED  
CONSULT DESIGN OFFICE IF ROADWAY IS NOT LEVEL TO ±10mm