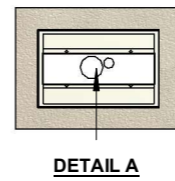
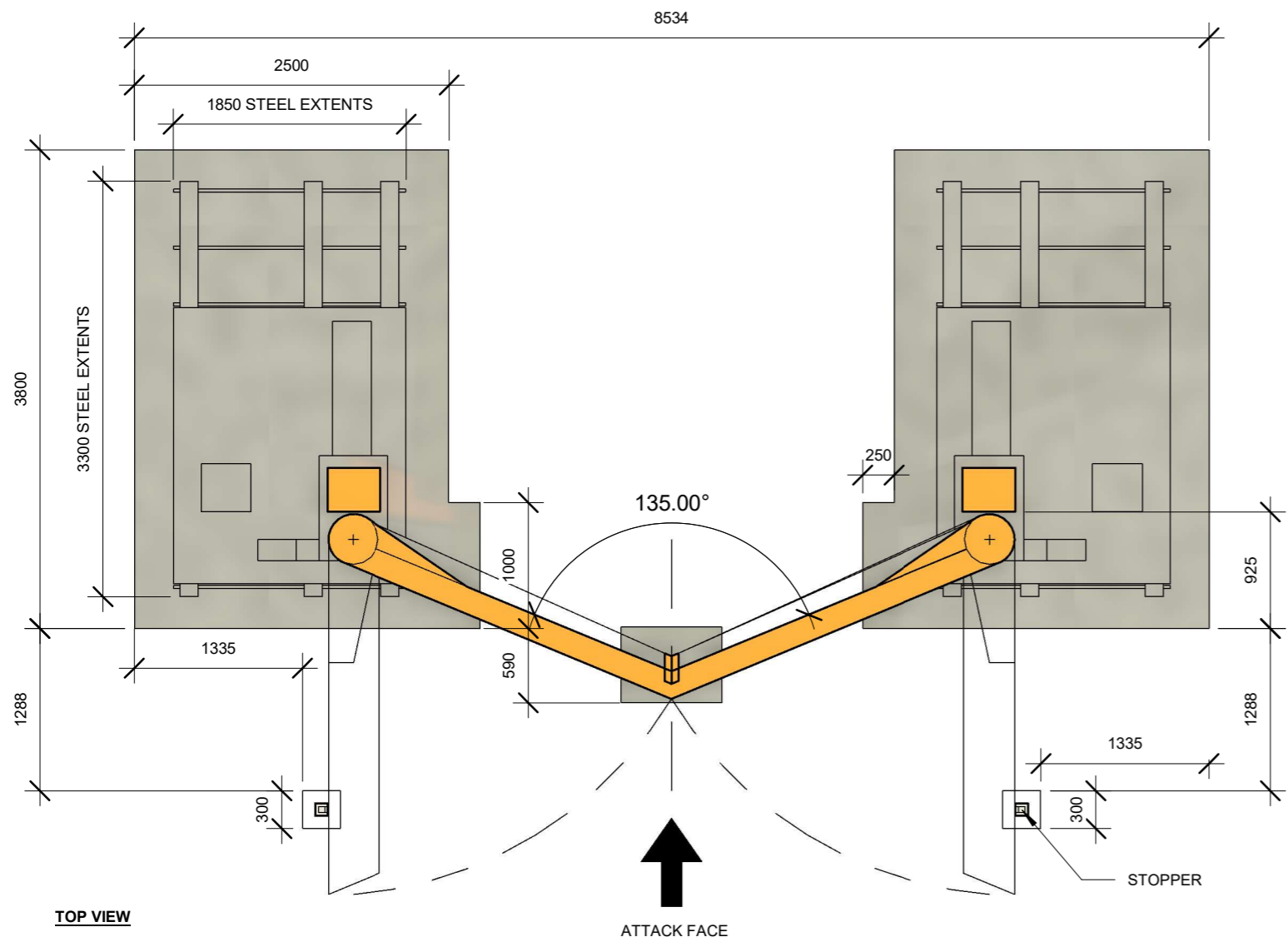


ISS		AUTHOR	CHANGE	CHECKED	REVISED	APPROVED	DATE	CN#
1	AS	ORIGINAL	AA	AA	AA	10.11.2025		

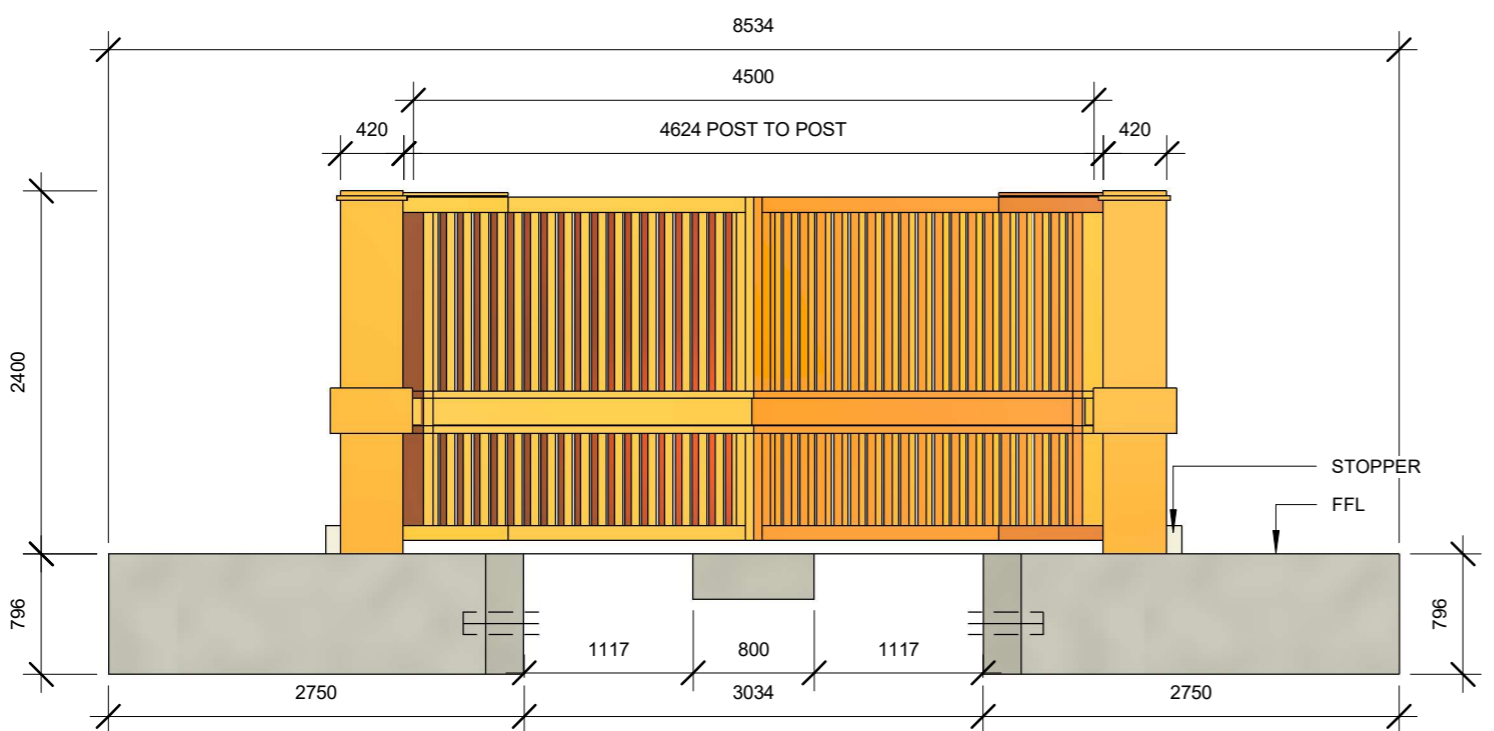


**FOUNDATION REQUIREMENTS**

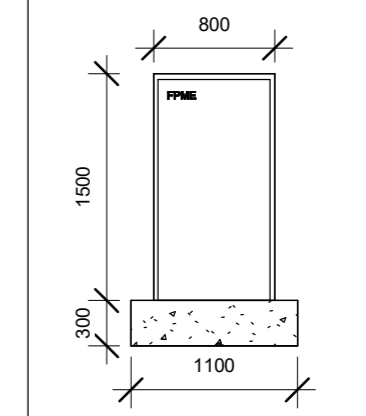
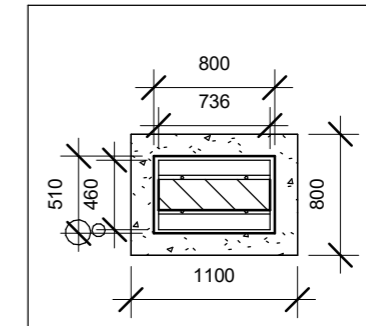
1. DIMENSIONS STATED ARE MINIMUM REQUIRED ON FIRM SUBSTRATE.
2. FIRST POUR SURFACES TO BE LEVEL WITHIN 25mm WITH FLOAT/TROWEL FINISH
3. REINFORCING FABRIC TO B.S. 4483 - 1998 REF. A393 POSITIONED 200 MINIMUM BELOW FIRST POUR LEVEL
4. CONCRETE TO BE A DESIGNED MISC IN ACCORDANCE WITH BS EN 206-1:2000  
CEMENT TO BS EN 197-1:2002  
AGGREGATE TO BS EN 12620:2002  
MAX SIZE OF AGGREGATE - 20mm  
CONCRETE TO GRADE C-35  
MIN. CEMENT CONTENT 275KG/M3
5. ALLOW EACH CONCRETE POUR TO CURE FOR 7 DAYS MINIMUM
6. IF GROUND IS SOFT OR OF POOR QUALITY PROPER ADVICE SHOULD BE SOUGHT
7. SECOND POUR TO REQUIRED FINISH LEVEL WHEN GATE(S) AND POSTS HAVE BEEN ALIGNED, LEVELLED & SECURED TO FIRST POUR CONCRETE  
GATE(S) SECURED TO FIRST POUR CONCRETE WITH PARABOLTS INSERTED INTO HOLES DRILLED THROUGH FROM BASEPLATES
8. CABLE DUCTS MUST NOT CROSS FOUNDATIONS LESS THAN 300mm BELOW SURFACE

**FOR INFORMATION ONLY**

**TOP VIEW**



**FRONT VIEW**



**DETAIL A**  
CABINET DETAILS  
FOR INFORMATION ONLY  
POSITION TO SUIT SITE

ALL DIMENSIONS ARE IN MILLIMETERS	
SCALE	TOLERANCES
	ISO 2768-m,k
THIRD ANGLE PROJECTION	
<p>THE INFORMATION CONTAINED IN THIS DRAWING IS CONFIDENTIAL AND MUST NOT BE PASSED IN WHOLE OR IN PART TO THIRD PARTIES WITHOUT THE PERMISSION OF FRONTIER PITTS LTD.</p>	



FRONTIER-PITTS MIDDLE EAST  
OFFICE 1301, BUILDING C88,  
COMMERCIAL TOWER A,  
15 BAGHDAD ST, ABU DHABI,  
UNITED ARAB EMIRATES.  
OFFICE: +971-26212272

email: sales@frontierpitts.ae  
website: www.fpgulf.com

CONTRACTOR  
**FOR INFORMATION ONLY**

SITE  
**4.5M CLEAR APPERTURE  
TERRA V GATE  
WITH 2.4M HEIGHT**

