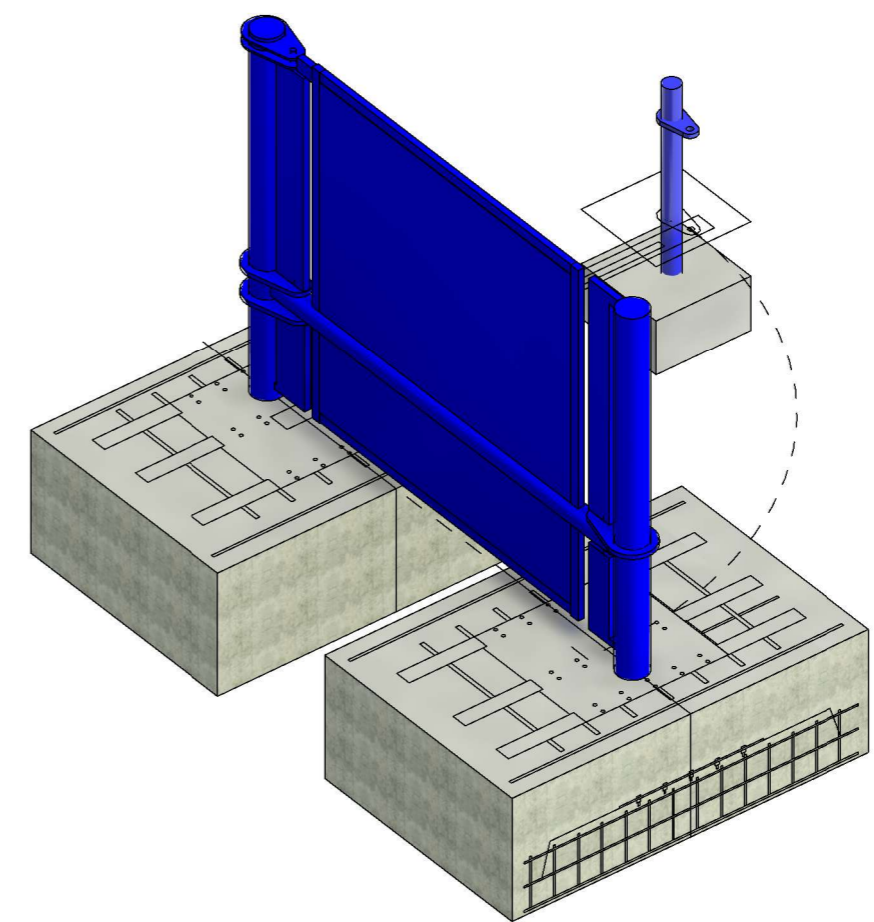
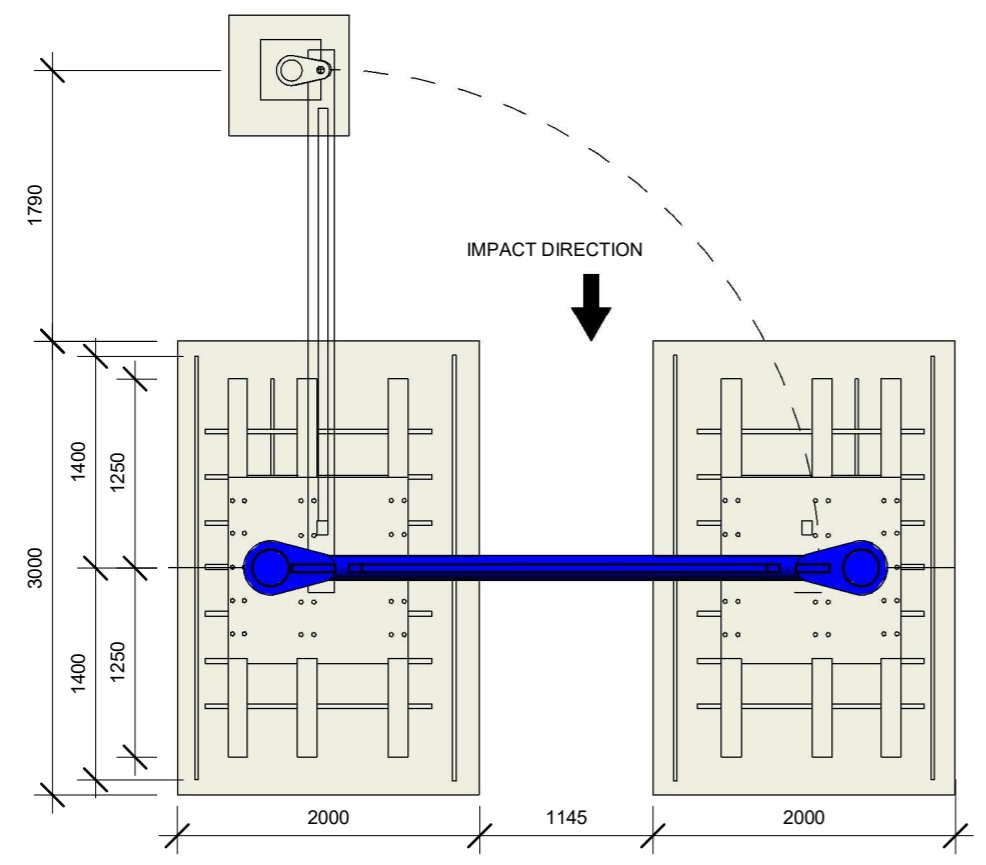


1	2	3	4	5	6	7	8	9	10	IF IN DOUBT ASK			
---	---	---	---	---	---	---	---	---	----	-----------------	--	--	--

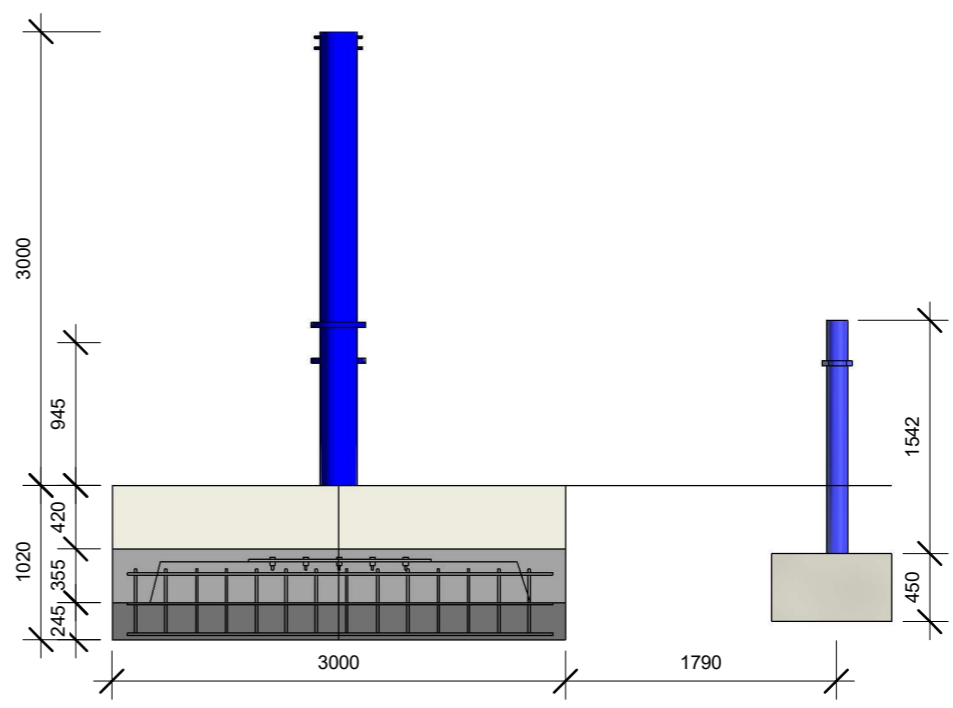
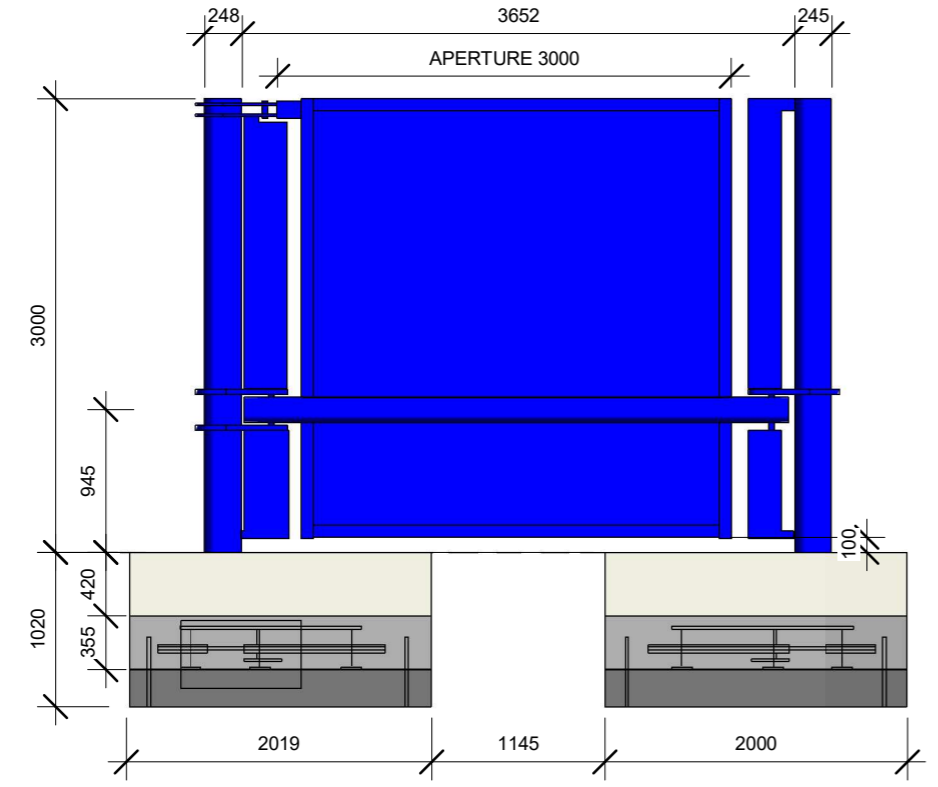
ISS	AUTHOR	CHANGE	CHECKED	REVISED	APPROVED	DATE	CN#
1	AS	ORIGINAL	AA	AA	AA	11.02.2026	

A  
B  
C  
D  
E  
F  
G  
H



**TOP VIEW**

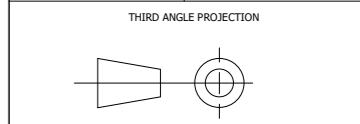
**3D VIEW**



**FRONT VIEW**

**SIDE VIEW**

ALL DIMENSIONS ARE IN MILLIMETERS  
SCALE TOLERANCES  
ISO 2768-m,k



THE INFORMATION CONTAINED IN THIS DRAWING IS CONFIDENTIAL AND MUST NOT BE PASSED IN WHOLE OR IN PART TO THIRD PARTIES WITHOUT THE PERMISSION OF FRONTIER PITTS LTD.



FRONTIER-PITTS MIDDLE EAST  
OFFICE 1301, BUILDING C88,  
COMMERCIAL TOWER A,  
15 BAGHDAD ST, ABU DHABI,  
UNITED ARAB EMIRATES.  
OFFICE: +971-26212272

email: sales@frontierpitts.ae  
website: www.fpgulf.com

CONTRACTOR  
FOR INFORMATION ONLY

SITE  
TERRA ULTIMATE 180° GATE  
APERTURE 3M  
SALES DRAWING

ALL ANGLES ARE PERPENDICULAR UNLESS OTHERWISE SPECIFIED  
CONSULT DESIGN OFFICE IF ROADWAY IS NOT LEVEL TO ±10mm

DRAWING NUMBER FPME-SALES-039-V1	ISSUE 1
-------------------------------------	------------