

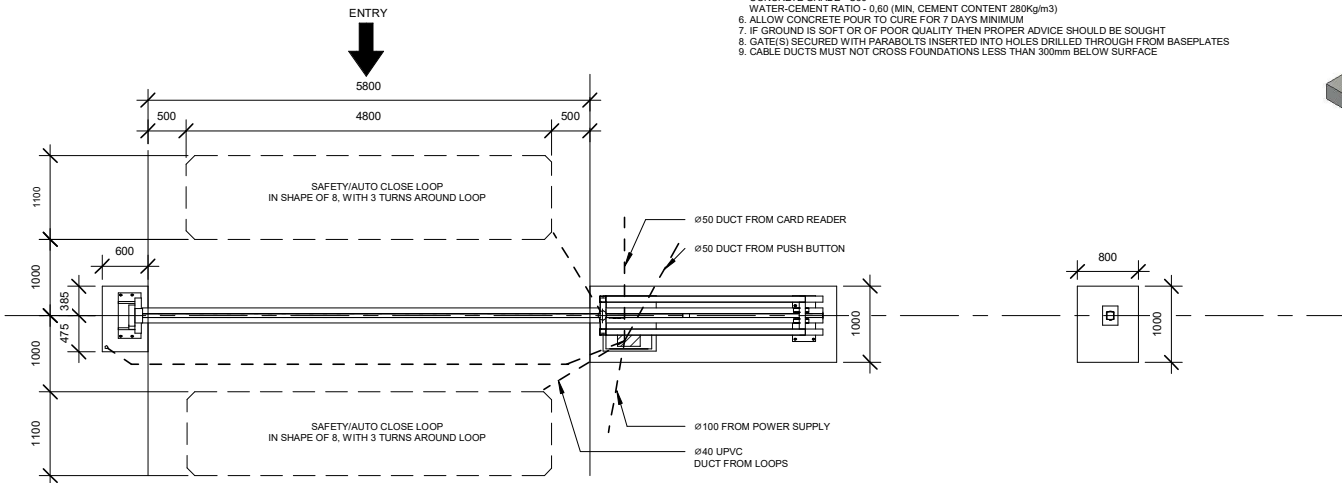
1	2	3	4	5	6	7	8	9	10	IF IN DOUBT ASK			
---	---	---	---	---	---	---	---	---	----	-----------------	--	--	--

ISS	AUTHOR	CHANGE	CHECKED	REVISED	APPROVED	DATE	CHK
I	AS	ORIGINAL	AA	AA	AA	30.09.2025	

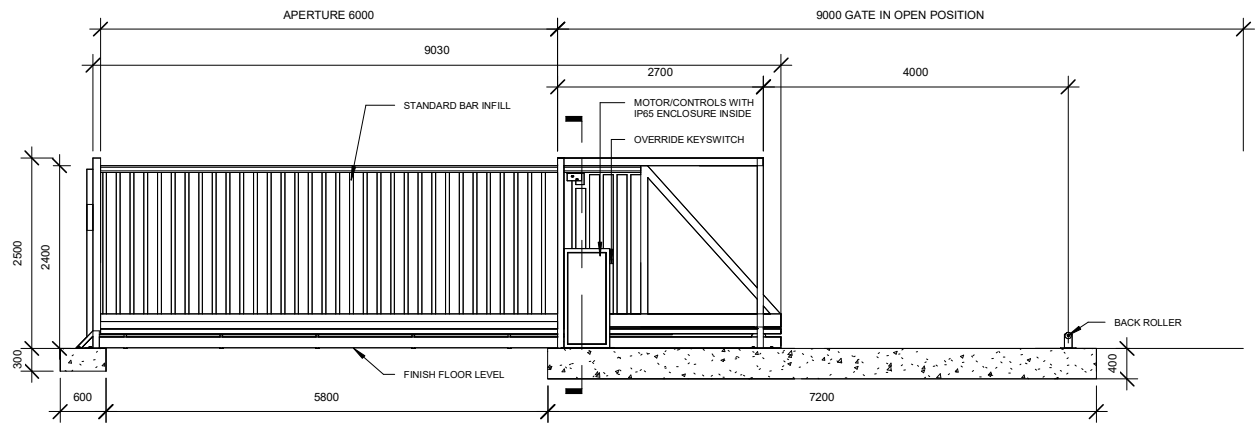
- FOUNDATION REQUIREMENTS**
- ROADWAY MUST BE LEVEL TO #10mm FROM DATUM POINT - IF LEVEL CHANGES CONSULT DESIGN OFFICE.
  - DIMENSIONS STATED ARE MIN. REQUIRED ON FIRM SUBSTRATE
  - FINISH SURFACES TO BE LEVEL WITHIN 10mm THROUGHOUT WITH FLOAT/TROWEL FINISH
  - REINFORCING FABRIC IN ACCORDANCE WITH BS 4483:1998 REF. A252 POSITIONED 200mm BELOW FINISH SURFACE LEVEL
  - CONCRETE TO BE A DESIGNED MIX IN ACCORDANCE WITH BS EN 206-1:2000 AND BS EN 8500-1:2006 CEMENT ACCORDING TO BS EN 197-1:2002 AGGREGATE ACCORDING TO BS EN 12620:2002 MAX SIZE OF AGGREGATE - 20mm CONCRETE GRADE - C30 WATER-CEMENT RATIO - 0.60 (MIN. CEMENT CONTENT 280Kg/m<sup>3</sup>)
  - ALLOW CONCRETE POUR TO CURE FOR 7 DAYS MINIMUM
  - IF GROUND IS SOFT OR OF POOR QUALITY THEN PROPER ADVICE SHOULD BE SOUGHT
  - GATE(S) SECURED WITH PARABOLTS INSERTED INTO HOLES DRILLED THROUGH FROM BASEPLATES
  - CABLE DUCTS MUST NOT CROSS FOUNDATIONS LESS THAN 300mm BELOW SURFACE



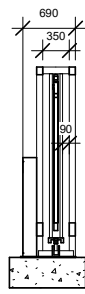
3D VIEW



TOP VIEW



SIDE VIEW



SECTION A-A  
RECEPTOR POST  
NOT SHOWN FOR  
CLARITY

ALL DIMENSIONS ARE IN MILLIMETERS

SCALE	TOLERANCES
	ISO 2768-m,k

THIRD ANGLE PROJECTION

THE INFORMATION CONTAINED IN THIS DRAWING IS CONFIDENTIAL AND MUST NOT BE PASSED IN WHOLE OR IN PART TO THIRD PARTIES WITHOUT THE PERMISSION OF FRONTIER PITTS LTD.



FRONTIER-PITTS MIDDLE EAST  
OFFICE 1301, BUILDING C88,  
COMMERCIAL TOWER A,  
15 BAGHDAD ST ABU DHABI,  
UNITED ARAB EMIRATES.  
OFFICE: +971-26212272  
email: sales@frontierpitts.ae  
website: www.fpgulf.com

CONTRACTOR	FOR INFORMATION ONLY
SITE	6M LH SLIDING CANTILEVER GATE INSTALLATION DETAILS

DRAWING NUMBER	ISSUE
FPME-SALES-028-V1	1

ALL ANGLES ARE PERPENDICULAR UNLESS  
CONSULT DESIGN OFFICE IF ROADWAY IS NOT LEVEL TO ±10mm