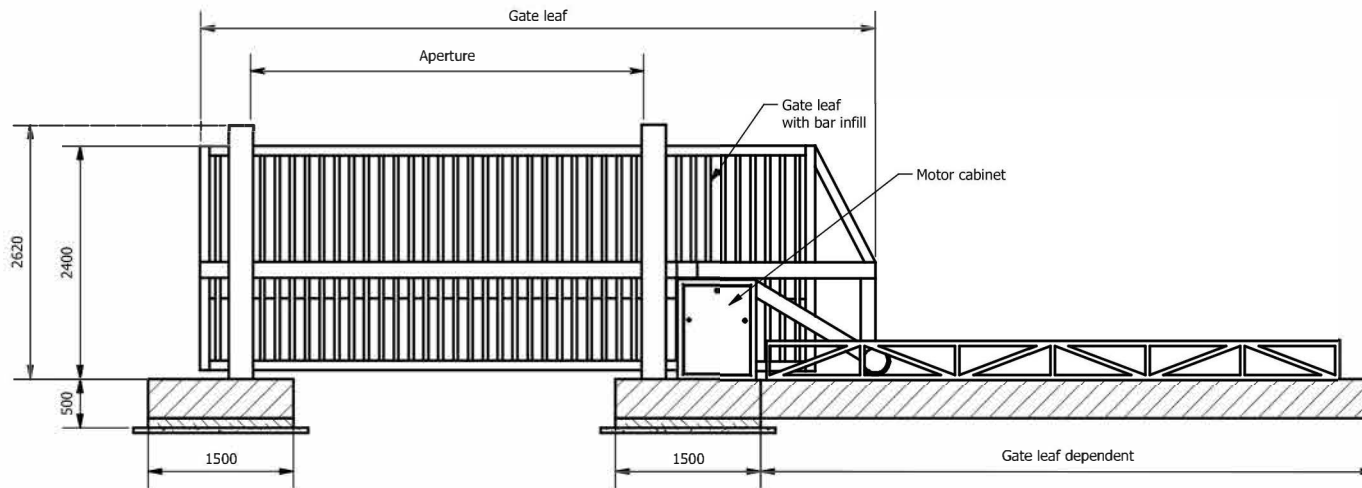
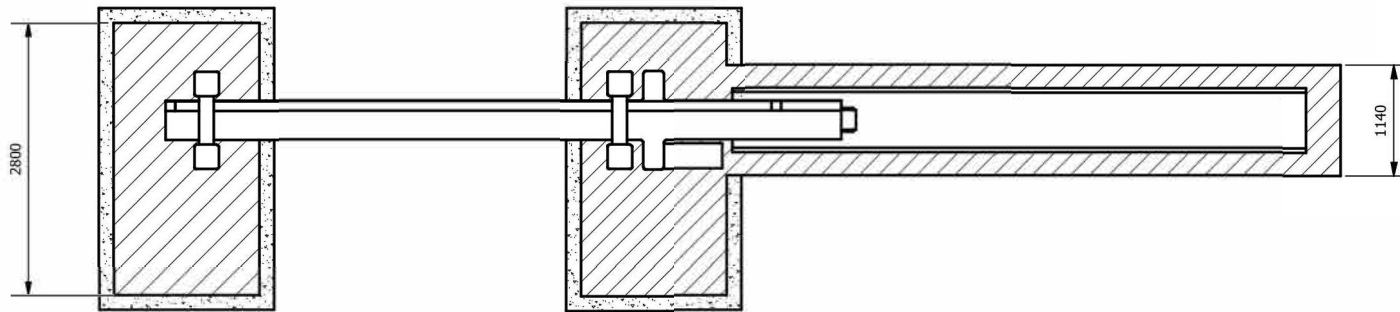
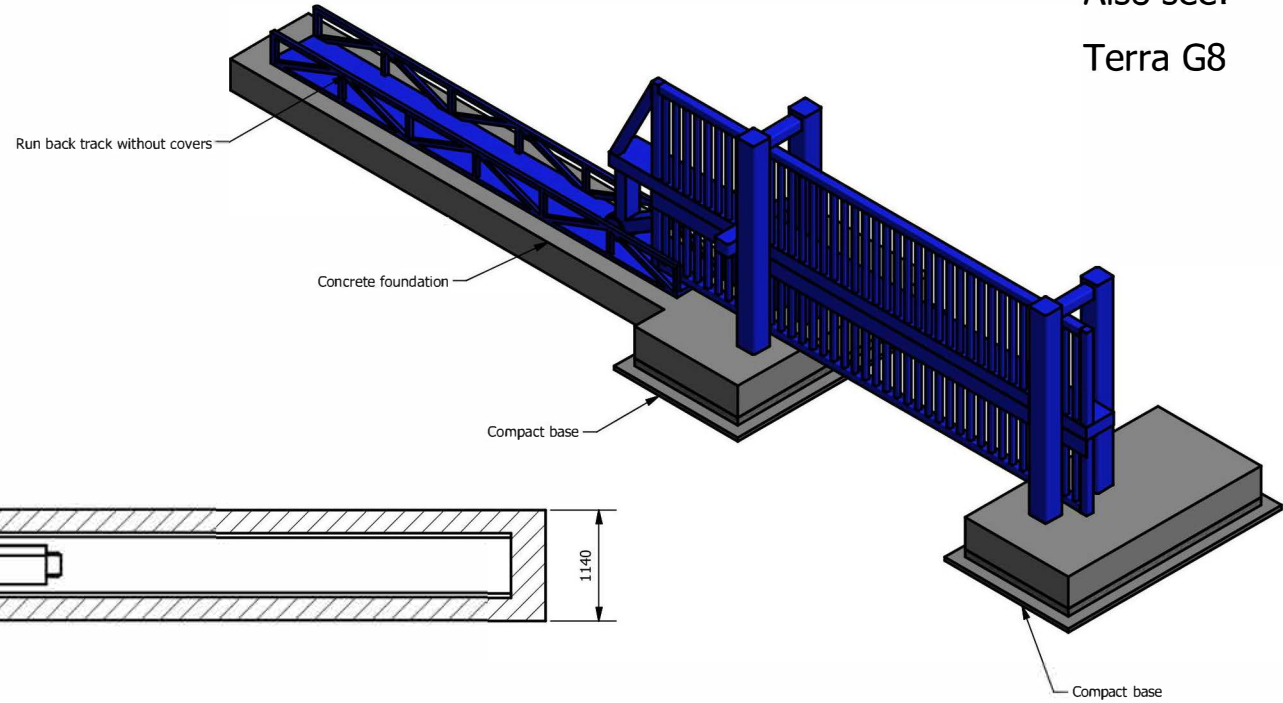


# Terra Cantilever Gate

PAS 68 Impact tested  
7.5T @ 50mph

Also see:

Terra G8



SALES DRAWINGS  
FOR INFORMATION ONLY, NOT FOR CONSTRUCTION  
COPYRIGHT OF FRONTIER PITTS LTD



FRONTIER PITTS LTD  
CROMPTON HOUSE . CROMPTON WAY  
CRAWLEY . WEST SUSSEX . RH10 9QZ  
TEL: +44 (0) 1293 548 301  
FAX: +44 (0) 1293 560 560  
EMAIL: [contracts@frontierpitts.com](mailto:contracts@frontierpitts.com)  
WEB: [www.frontierpitts.com](http://www.frontierpitts.com)

TITLE: Terra Cantilever Gate  
Installation Layout

DRAWING NUMBER: 6061-005-03 SALESv1

DRAWN: B.K

NOT TO SCALE DIMENSIONS IN MM