

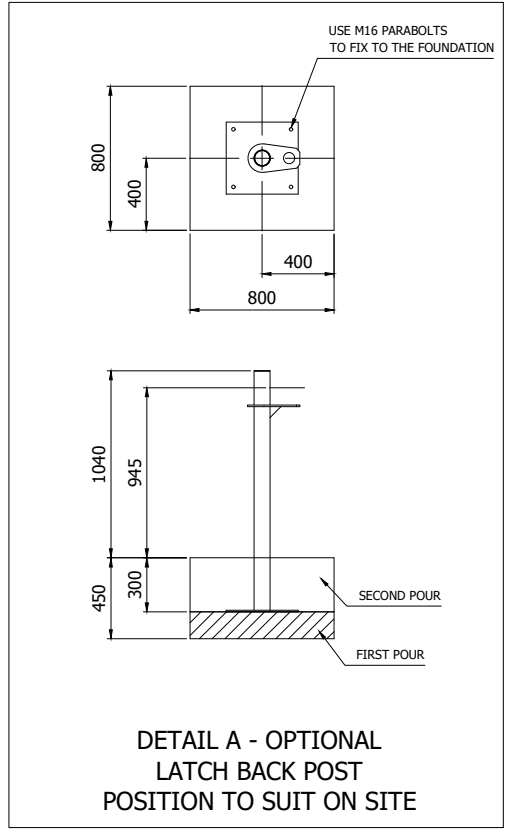
A

CONCRETE SPECIFICATION

- CONCRETE TO BE A DESIGNED MIX IN ACCORDANCE WITH BS EN 206-1:2000 AND BS EN 8500-1:2006
- CEMENT ACCORDING TO BS EN 197-1:2002
- AGGREGATE ACCORDING TO BS EN 12620:2002
- MAX SIZE OF AGGREGATE - 20mm
- CONCRETE GRADE - C30
- WATER-CEMENT RATIO - 0.60 (CEMENT CONTENT 280KG/M³)
- ALLOW EACH POUR OF CONCRETE TO CURE FOR 7 DAYS MINIMUM

B

C



E

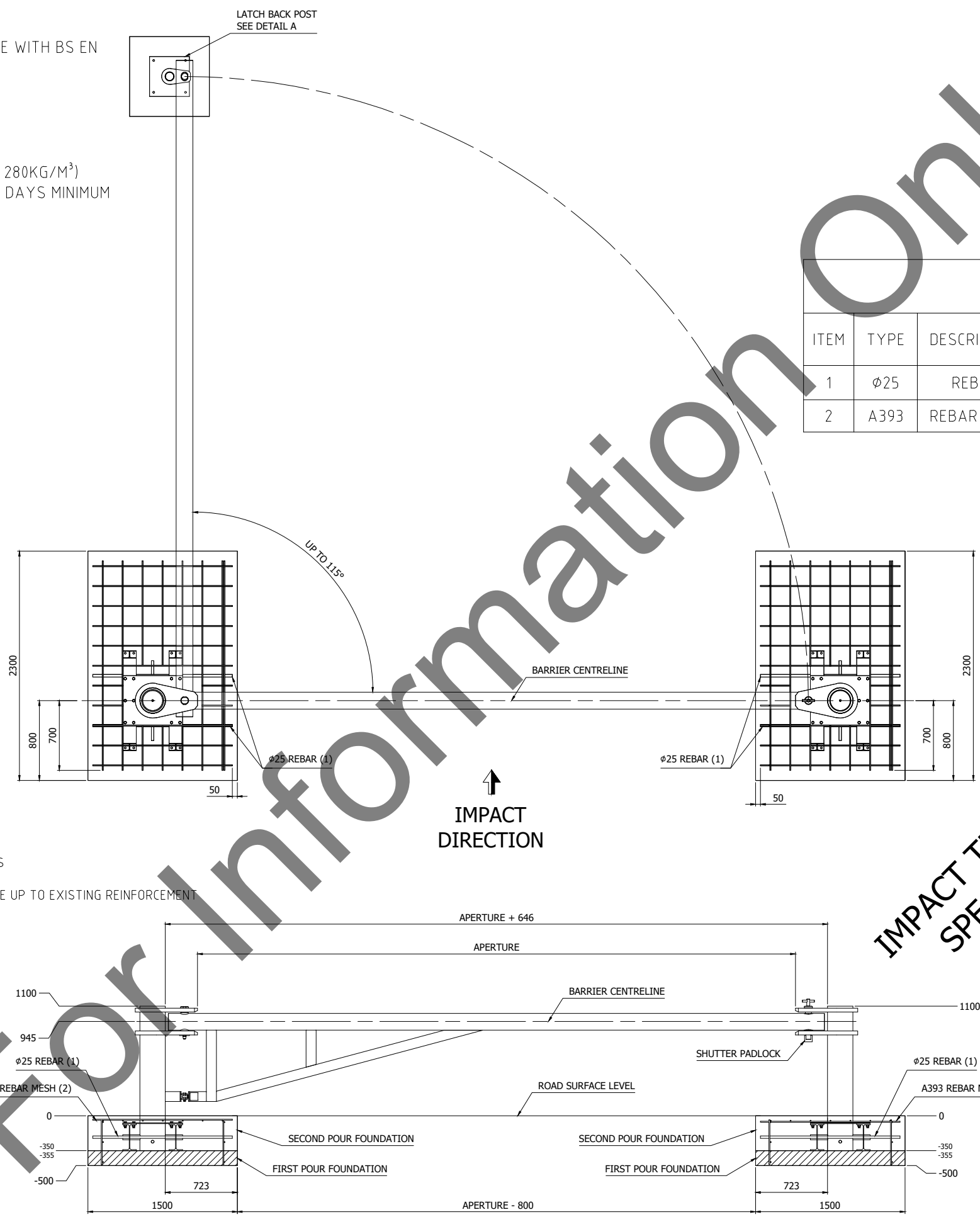
F

INSTALLATION PROCEDURE:

1. REFER TO OTHER DRAWING FOR FOUNDATION DETAILS
2. FIT REBAR THROUGH THE POST
3. PLACE POSTS AS PER INSTALLATION DRAWING
4. FIX POSTS TO THE FIRST POUR BY M16x180 THROUGH BOLTS
5. TIE UP FITTED REBAR TO EXISTING REINFORCEMENT
6. PLACE REBAR MESH WITH CUTOUT AS PER DRAWING AND TIE UP TO EXISTING REINFORCEMENT
7. FIT MAIN BEAM TO THE HINGE POST
8. ADJUST BEAM TO REACH THE RECEPTOR POST
9. POUR CONCRETE TO ACCEPTABLE LEVEL
10. ALLOW CONCRETE TO CURE MIN. 7 DAYS
11. ENSURE BARRIER OPERATES FREELY

G

H



| ISS | DRWN | CHANGE | CHKD | APPD | DATE | CN# |
|-----|------|-----------------------------|------|------|------------|-------|
| 1 | ML | ORIGINAL | GL | GL | 18/08/17 | |
| 2 | ML | FOUNDATIONS REPOSITIONED | GL | GL | 20/09/17 | 8698 |
| 3 | ML | FOUNDATIONS CHANGED | GL | GL | 27/11/17 | 8778 |
| 4 | HK | MAIN BEAM MID SUPPORT ADDED | ML | GL | 15/03/18 | 8888 |
| 5 | AB | LATCH BACK POST OPTIONAL | WD | GL | 10/10/2023 | 10930 |

| REINFORCEMENT PARTS LIST | | | | | | | |
|--------------------------|------|-------------|--------------------|-----|-----------|---------------|------------|
| ITEM | TYPE | DESCRIPTION | LENGTH / SIZE (mm) | QTY | MATERIAL | MASS PER UNIT | MASS TOTAL |
| 1 | Ø25 | REBAR | 1400 | 4 | S235/S275 | 5.4 kg | 21.6 kg |
| 2 | A393 | REBAR MESH | 2100x1400 | 2 | S235/S275 | 18.83 kg | 37.66 kg |

**IMPACT TEST TO MATCH IWA 14
SPEC: N2A, 7200kg, 80kph**

DIMENSIONS IN MILLIMETERS

| SCALE | TOLERANCES |
|-------|--------------|
| NTS | ISO 2768-m,k |

THIRD ANGLE PROJECTION

THE INFORMATION CONTAINED IN THIS DRAWING IS CONFIDENTIAL AND MAY NOT BE PASSED IN WHOLE OR IN PART TO THIRD PARTIES WITHOUT THE PERMISSION OF FRONTIER PITTS LTD.



FRONTIER-PITTS LTD
 CROMPTON HOUSE, CROMPTON WAY,
 CRAWLEY, WEST SUSSEX. RH10 9QZ
 ENGLAND
 Telephone :- 44 (0) 1293 548301
 Fax :- 44 (0) 1293 560650
 e-mail: contracts@frontierpitts.com
 web site: www.frontierpitts.com

| |
|-------------------------|
| CONTRACTOR |
| SITE |
| TERRA ULTIMATE 180 |
| IWA14, 7.2T, 80KPH |
| LH INSTALLATION DETAILS |

ALL ANGLES ARE PERPENDICULAR UOS
 CONSULT DESIGN OFFICE IF ROADWAY IS NOT LEVEL TO ±10mm

| | |
|----------------|-------|
| DRAWING NUMBER | ISSUE |
| 6706-01 | 5 |